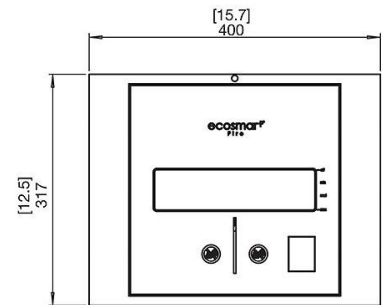
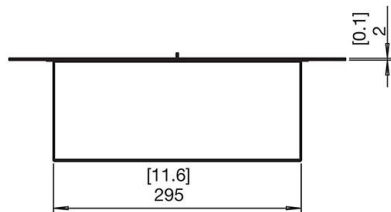




UTECOMFORT

Ethanol Burners BK5 Technical details



Weight: 7.6 kg
 Model dimensions (mm): L400, W317, D123
 Application: Indoor/outdoor
 Materials: Stainless steel grade 304
 Colour: Stainless steel

Read the manual carefully before operating the burner. Physical model dimensions should be verified against cut out dimensions BEFORE installation begins to confirm tolerances align.

Our burners are engineered to offer industry leading burn times, a stable flame pattern and will last a lifetime.

VOLUME CAPACITY 5 L	HEATS ON AVERAGE 35 m ²	MINIMUM ROOM 70 m ³	THERMAL OUTPUT 13000 BUT/hr 2.5 kW/h	FUEL EFFICIENCY 7-11 h 5 Litres
---------------------------	--	--------------------------------------	--	--

*These values are indicative only and may vary depending on the model purchased, installation environment, and the composition of the e-NRG bioethanol sourced in each country.