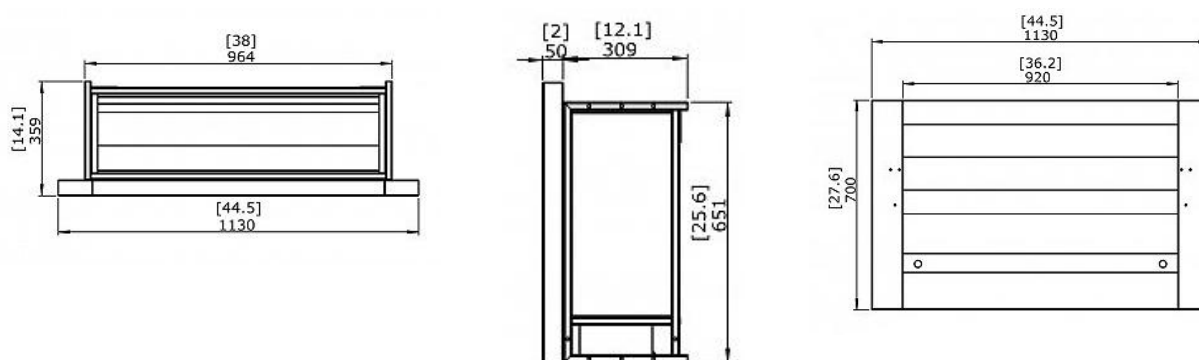




UTECOMFORT

Curved series firebox 920CV Technical details



Weight: 40.70 kg
 Model dimensions (mm): W 1130, D 359, H 700
 Viewing area (mm): W 1130, D 309, H 700
 Application: Indoor / outdoor
 Materials: Mild steel, toughened glass
 Colour: Black

Read the manual carefully before operating the burner. Physical model dimensions should be verified against cut out dimensions BEFORE installation begins to confirm tolerances align.

The Firebox 720CV is a manufacturer approved surround for the BS EN16647 Compliant XL700 burner.

VOLUME CAPACITY	HEATS ON AVERAGE	MINIMUM ROOM	THERMAL OUTPUT	FUEL EFFICIENCY
7 L	50 m ²	90 m ³	13650 BUT/hr 4 kW/h	9-12 h 7 Litres

*These values are indicative only and may vary depending on the model purchased, installation environment, and the composition of the e-NRG bioethanol sourced in each country.